

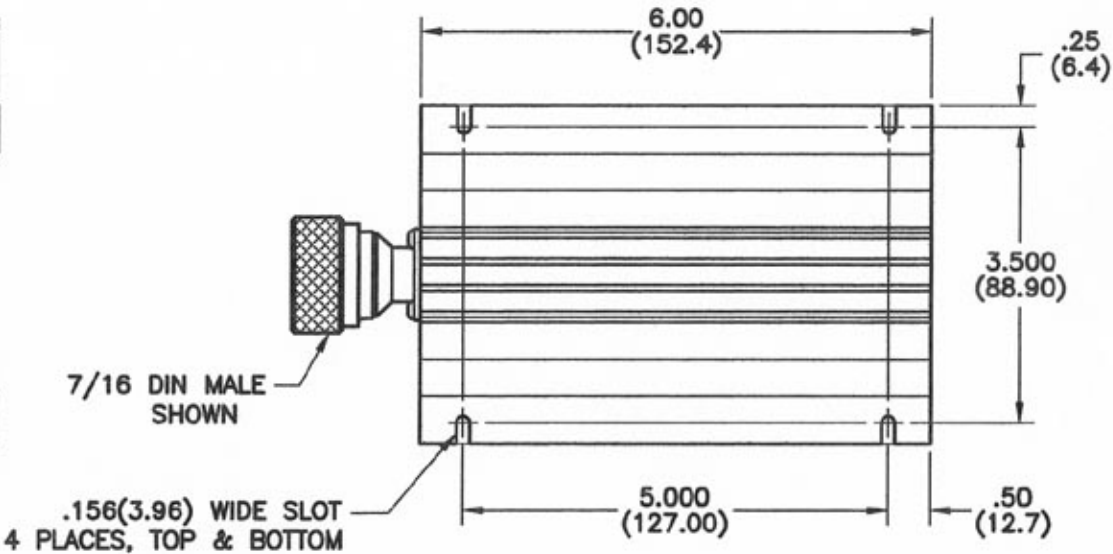
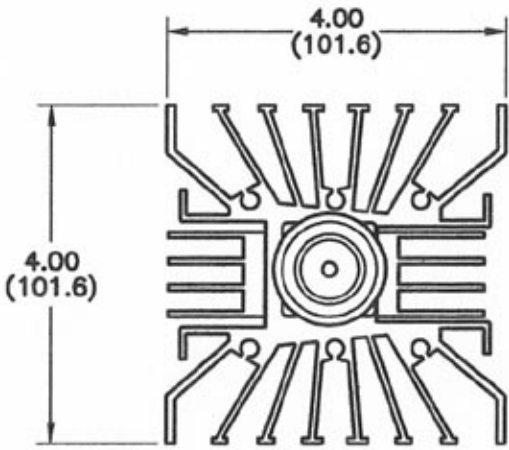
4

3

2

1

REVISIONS				
REV	ZONE	DESCRIPTION	DATE	BY ECO



SPECIFICATIONS

- FREQUENCY RANGE - DC TO 3.0 GHz
- IMPEDANCE - 50 OHMS
- VSWR (1.0 GHz) - 1.15:1
- (3.0 GHz) - 1.25:1
- INPUT POWER (AVG.) - 150 WATTS
- (PEAK) - 2000 WATTS
- OPERATING TEMPERATURE - -55°C TO +125°C
- CONNECTOR - 7/16 DIN MALE

DIMENSIONS: INCHES (MILLIMETERS)

TOLERANCES		THE INFORMATION CONTAINED IN THIS DOCUMENT IS THE PROPERTY OF MICROWAVE DEVICES, INC. AND IS PROPRIETARY. IT IS NOT TO BE COPIED OR USED FOR ANY PURPOSE OTHER THAN AS INSTRUCTED, IN WRITING, BY MICROWAVE DEVICES, INC.	MICROWAVE DEVICES <small>RF and Microwave Components</small>	
DECIMALS	FRACTIONS		OUTLINE, TERMINATION, 6150, 7/16 DIN	
.XXX ± .010	ANG ±			
MATERIAL				
FINISH		SIGNATURES	DATE	CAGE SIZE DRAWING NO. 60674 B 900125-1
DR	G.V.Cothren	2-2-08		
CHK				
APPD				
CONTACT: MICROWAVE DEVICES - 1150 N. GRAHAM RD. FRANKLIN, IN 46131 (317) 736-6033		DIMENSIONS ARE IN INCHES UNLESS OTHERWISE SPECIFIED.		DRAWING SCALE ~~~ SHEET 1 OF 1

4

3

2

1